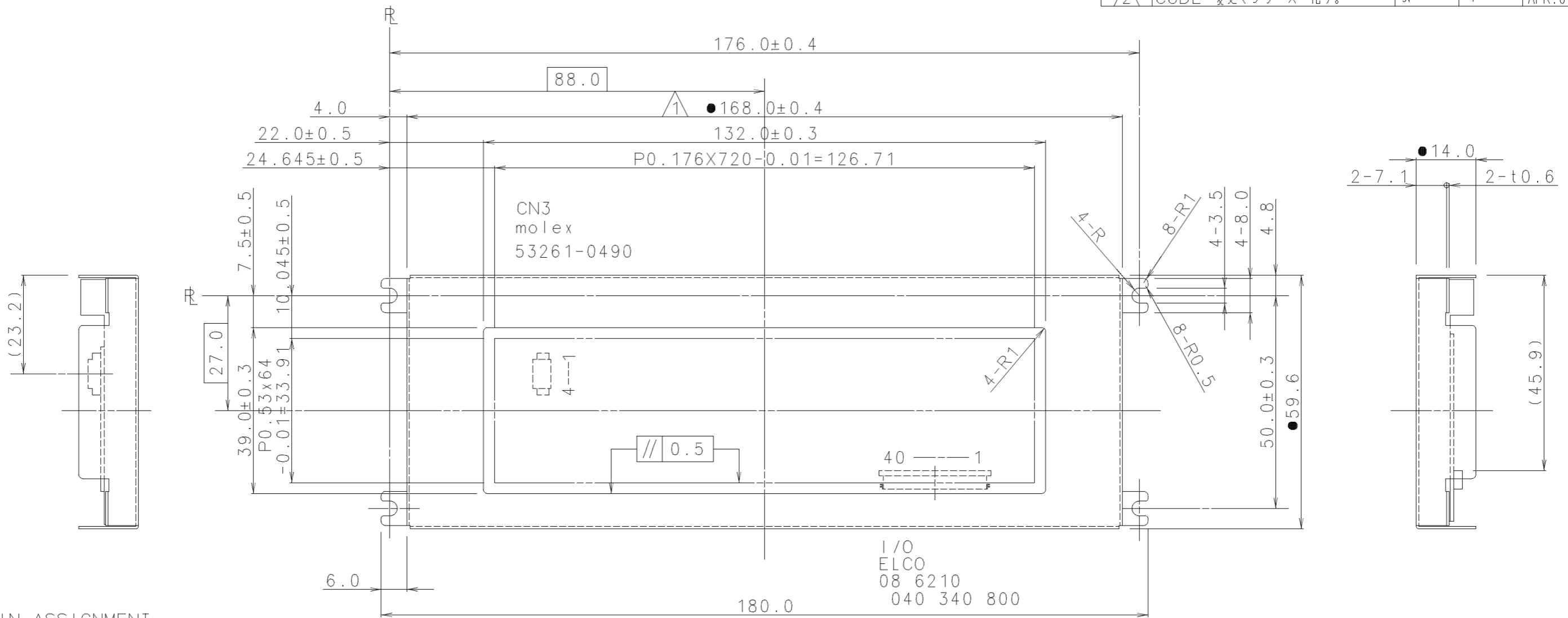


ISSUE	REVISIONS	DRAWN	APPROVED	DATE
①	管理特性の指定低変更。(176→168)	SK	S.Kobayashi	JUL 1300
②	CODE 変更(シリーズ化)。	S.Mizobuchi	I.Shimizu	APR.01'02



I/O : PIN ASSIGNMENT

No.	Symbol	No.	Symbol
1	FG	21	AB4
2	Vss	22	AB5
3	Vss	23	AB6
4	Vcc1	24	AB7
5	Vcc1	25	AB8
6	Vcc2	26	AB9
7	Vcc2	27	AB10
8	Vcont	28	AB11
9	TOCS	29	AB12
10	TOWR	30	AB13
11	TORD	31	AB14
12	MEMCS	32	AB15
13	MEMWR	33	DB0
14	MEMRD	34	DB1
15	READY	35	DB2
16	RESET	36	DB3
17	AB0	37	DB4
18	AB1	38	DB5
19	AB2	39	DB6
20	AB3	40	DB7

CN3	
No.	Symbol
1	RV
2	VR(GND)
3	GND
4	Vin(12V)

注
1, ● 印の付いた寸法, 仕様は管理特性の指示を示す.

THE DIMENSIONS WITH THE MARK(●) IS CONTROLLED AS A PARTICULAR CHARACTERISTIC.

TOLERANCE			THIRD ANGLE PROJECTION	DATE	OPTREX CORPORATION
MEASURE	A	B		MAR.03'99	
L≤16	±0.1	±0.3	±1	UNIT	APPROVED
16<L≤63	±0.2	±0.5	±1.5	mm	S.Kobayashi
63<L≤250	±0.3	±0.8	±2	SCALE	CHECKED
250<L≤500	±0.5	±1.2	±3	1:1	M.Kinoshita
500<L	±0.8	±2	±4	DRAWN	S.Kuwabara
ANGLE	±1°	±5°	±10°		

240X3(RGB)X64DOTS

TITLE	CODE	DWG NO
DIMENSIONAL OUTLINE	△ F-51168 Series	UE-300809B